



BROOMATE[®]



Broomate® – this is how you sweep today!

In production facilities, agricultural premises or recycling and waste management sites there are a lot of areas which need to be kept clean at any time. Sealeze has developed a sweeping solution that achieves this result easily, professionally and with low cost. Our broom consists of high quality single strip brushes which are assembled under a solid 5 mm galvanized hood.

The Sealeze Broomate® can be attached to a big number of industrial or agricultural vehicles and cleans all sorts of heavy debris, but also liquids. There are no rotating or electrical parts. Just mount the broom to your vehicle in no time and start sweeping.



Maintenance free

- Simple and cost effective cleaning solution.
- No hydraulics, no motors, no rotating or electrical parts.
- Easy to clean with water or steam.



Robust

- 5 mm galvanized steel hood, fork-shoes, and protective end-shield.



Versatile

- Excellent cleaning capabilities suitable for heavy debris and dirt like gravel, sand, slurry and snow, as well as for liquids.
- Bi-directional – sweep forward or in reverse.



Long Service Life

- Brush strips last up to 500 miles.



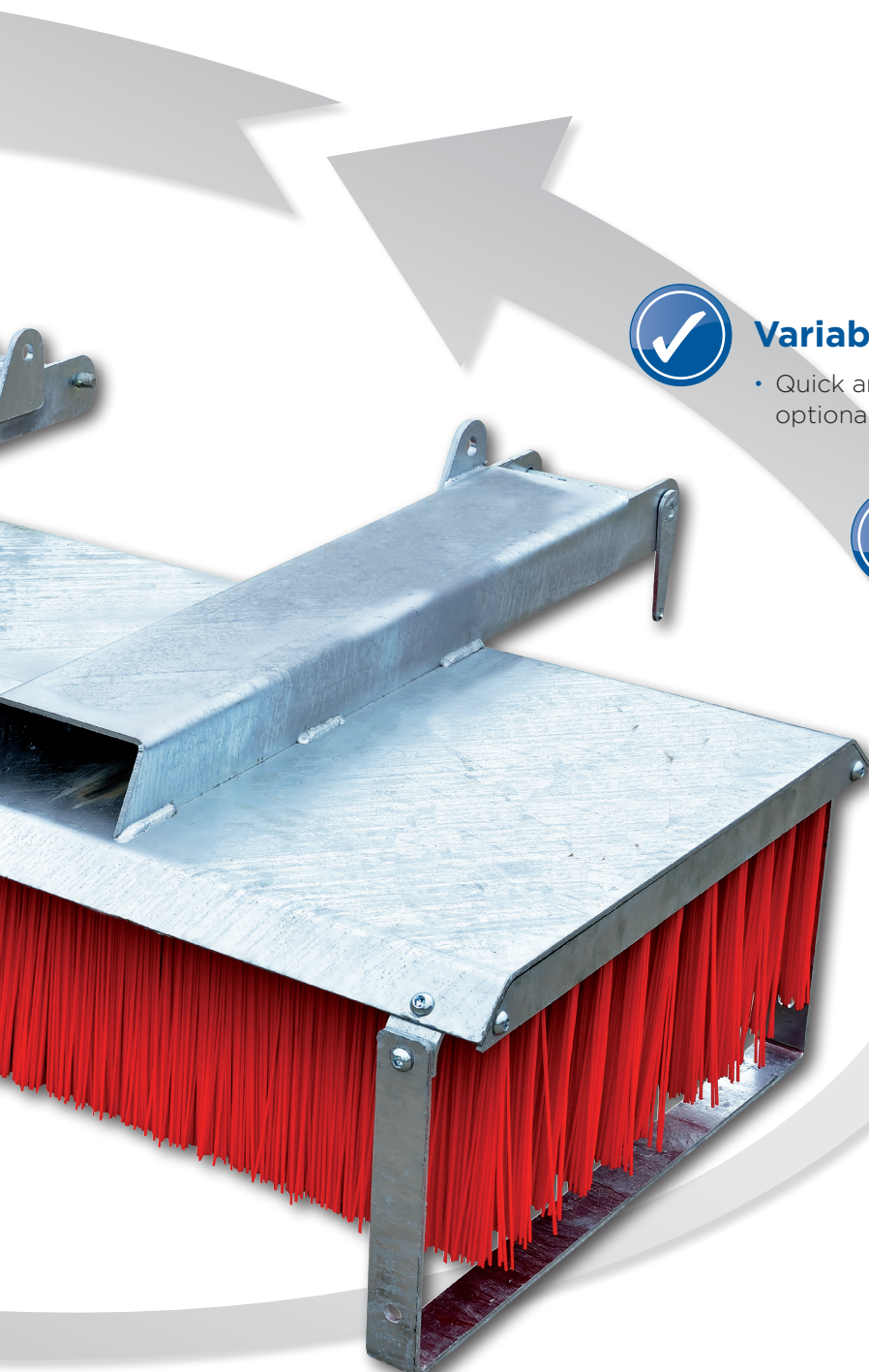
Environmentally friendly

- All parts can be recycled.
- No need for motor oil, fuel or electric consumption.



BROOMMATE®

Professional Cleaning Solutions



Variable Mounting

- Quick and easy mounting on almost any vehicle using optional adapters (extensive range available).



Easy Replacement

- Brush strips can be replaced in an instant.
- Simply slide-out and slide-in.



Easy storage

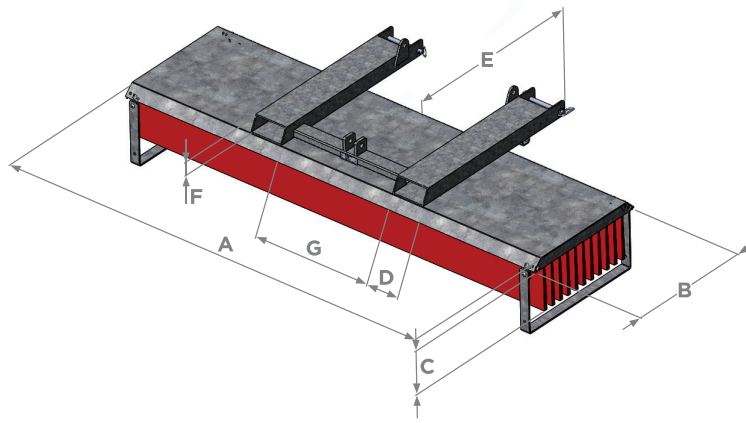
- Supporting frame prevents brush strips from bending in storage.



Safety First

- No rotating parts, chains or motors.
- No noise, no dust.

Professional Cleaning Solutions



Broomate® model	47 inch	71 inch	94.5 inch	118 inch
Part number	0004APR120	0004APR180	0004APR240	0004APR300
Width (A)	47 in.	71 in.	94.5 in.	118 in.
Depth (B)	27.8 in.	27.8 in.	27.8 in.	27.8 in.
Height (C)	21.3 in.	21.3 in.	21.3 in.	21.3 in.
Width Forklift-Adapter (D)	7.1 in.(6.7)	7.1 in.(6.7)	7.1 in.(6.7)	7.1 in.(6.7)
Length Forklift-Adapter (E)	41.7 in.	41.7 in.	41.7 in.	41.7 in.
Height Forklift-Adapter (F)	3.15 in.(3)	3.15 in.(3)	3.15 in.(3)	3.15 in.(3)
Dimension between Forklift-Adapter (G)	25.8	25.8	25.8	25.8
Steel thickness	.2	.2	.2	.2
Canopy finishing	Galvanized	Galvanized	Galvanized	Galvanized
No. of Brush rows	8	11	11	11
Weight	210 lbs.	350 lbs.	575 lbs.	750 lbs.
Strips filament material/color	Poly Red	Poly Red	Poly Red	Poly Red

Adaptors & Options				
Forklift adaptor (170x70)	●	●	●	●
Forklift adaptor Wide pocket (210x70)	○	○	○	○
Forklift & shovel/loader adaptor	○	○	○	○
Forklift & skid steer adaptor	○	○	○	○
Forklift & Euro frame adaptor	○	○	○	○
Forklift & 3 point adaptor	○	○	○	○
Storage support legs	●	●	●	●
Edge marker kit	○	○	○	○
Special adaptors	On request	On request	On request	On request
Packaging	●	●	●	●
Brushes recharge kit	Units	Units	Units	Units
0004APR034 Set of 11 Strip brushes (580x285)	-	-	1	2
0004APR017 Set of 8 Strip brushes (1200x285)	1	-	-	-
0004APR013 Set of 11 strip brushes (1820x285)	-	1	1	1
Weight	44 lbs.	91 lbs.	121 lbs.	152 lbs.

● Included ○ Option

For more information or to request a quote:

Phone: 1-800-787-7325

Email: sealezeorders@sealeze.com

Web: www.broomate.com



Sealeze

2350 Salisbury Rd • Richmond • Indiana • www.sealeze.com