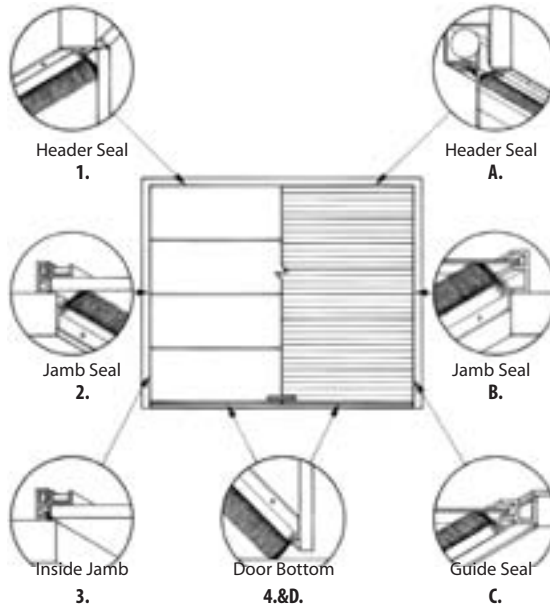


Overhead Door

page 1 of 2
WORKSHEET

WSOHD.0207



Contact Name: _____

Company Name: _____

Phone: _____

Fax: _____

Email: _____

Sectional Door

1. Header Seal (indicate in. or mm): _____

Measure between the lintel and the door when the door is closed. Be sure to account for surface irregularities and wind deflection. For commercial doors with a 1 to 3 inch gap, use Sealeze size D brushes. For residential or smaller doors, use Sealeze size C brushes.

2. Jamb Seal (indicate in. or mm): _____

Measure between the jamb and the door, taking into account surface irregularities and wind deflection. When using an angled holder, add an additional 25% to the measurement to account for lost "reach."

3. Inside Jamb (indicate in. or mm): _____

If space is available for brush and holder, determine amount of "play" between door and jamb. Sealeze size C brush with angled holder or straight holder can be used.

4. Bottom Seal (indicate in. or mm): _____

Measure the distance between door bottom and floor, taking into account floor irregularities. For commercial doors with a 1 to 3 inch gap, use Sealeze size D brushes. For residential or smaller doors, use Sealeze size C brushes.

Angled holders mounted on inside jambs allow brush to seal edges of the door while preventing potential impact damage. Double back tape provides easy installation.

Use angled holder on jambs to fill corrugation.

Using angled holders allows the top of the door to close into the brush for a tight seal.

Rolling Steel Door

A. Header Seal (indicate in. or mm): _____

Measure between the lintel and the door when the door is closed. Be sure to account for surface irregularities and wind deflection. (Note: Rolling steel doors may have a larger gap in the center due to door sag.) For large commercial doors with gaps up to 3 inches, use Sealeze size D brushes. For residential or smaller doors, use Sealeze size C brushes. For larger gaps, Sealeze size G brush may be required.

B. Jamb Seal (indicate in. or mm): _____

Measure between the jamb and the door, taking into account surface irregularities and wind deflection. Rolling steel doors ride between two sections of angled steel. Clip-on holders are available.

C. Inside Jamb (indicate in. or mm): _____

Most installations require a door guide mounted seal. Sealeze DP40PVC holder with our size C brush is ideal.

D. Bottom Seal (indicate in. or mm): _____

Measure the distance between door bottom and floor, taking into account floor irregularities. For large commercial doors with a 1 to 3 inch gap, use Sealeze size D brushes. For smaller doors, use Sealeze size C brushes.

Straight holder mounts to inside of door or to header exterior.

Behind-Wall Installation:
Use angled holders on jambs.

Between-Wall Installation:
Use reverse angled holder on guides or clip on holder directly to C-Channel.

8000 Whitepine Road
Richmond, VA 23237

phone: 804-743-1218
fax: 804-743-3413

toll free
phone: 800-446-7325
fax: 800-448-2908



weatherseal@sealeze.com
www.sealeze.com

Overhead Door

WHAT YOU SHOULD KNOW:

Why use brush with angled holders to seal the jambs on my overhead/service doors?

Using brush weatherseals in angled holders will allow the brush to “fan out” and conform to any surface irregularities.

Should I also use angled holders then to seal my door bottoms?

Yes, for the same reason stated above. Straight brush is likely to get crushed when the door is closed.

Is the same true for the header?

Using brush with angled holders for your header is strictly a matter of personal preference. Angled brush will work best in most situations, especially with sectional doors. However, straight brush can be used effectively on rolling steel doors.

What is suggested to seal the jambs on rolling steel doors?

We offer brush in angled holders that can be attached directly to the guide using double back tape. We also have a plastic clip on holder that can be installed in a few minutes to the C-Channel.

How long of a brush do I need?

This depends on how close you can mount the brush and the size of the gap you are sealing, but normally most sections can be sealed with a 1” brush.

Why is nylon better than polypropylene?

Nylon is superior to polypropylene in that it is abrasion resistant, it is UV treated so it will not deteriorate after long exposure to the sun, and it has “memory”, which means it will return to its normal shape if it has been deformed for any reason.

In addition, the longevity of nylon will deter callbacks; ease of installation will eliminate long work hours; the performance of nylon will cut energy costs; and stock or custom-cut lengths ensure that you’re getting exactly what you require to complete the job!

Call our experienced Sales staff and put them to the test! They can provide you with Installation Guides, test Reports and whatever else you need to be convinced that brush is BETTER!

page 2 of 2
WORKSHEET

WSOHD.0207

8000 Whitepine Road
Richmond, VA 23237

phone: 804-743-1218
fax: 804-743-3413

toll free
phone: 800-446-7325
fax: 800-448-2908



weatherseal@sealeze.com
www.sealeze.com