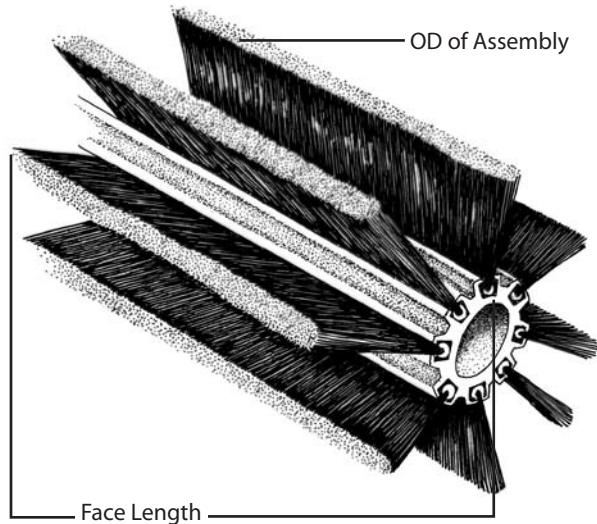


Rotary Strip Brush Assemblies

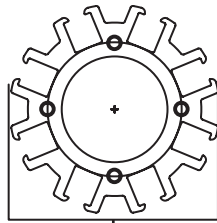
WORKSHEET
IWR5BA.0909



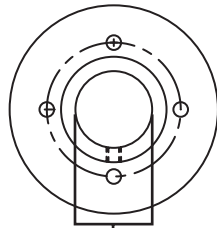
Contact Name: _____
 Company Name: _____
 Phone: _____
 Fax: _____
 Email: _____

Series D

For mounting on 0.75 inch diameter shaft.



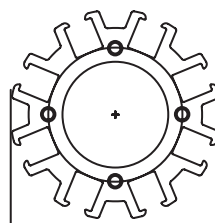
Outer Diameter (OD)
2.220 in.



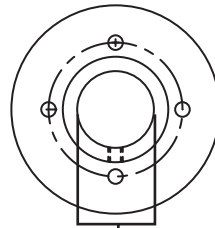
Inner Diameter (ID)
0.750 in.

Series G

For mounting on 1.00 inch diameter shaft.



Outer Diameter (OD)
2.743 in.



Inner Diameter (ID)
1.000 in.

NOTE:

Illustrations are for reference only. For an engineering print of hub and extrusion, contact a Sealeze sales representative.

Quantity: _____ Annual Usage: _____

Channel Material:
Galvanized, T-304 S/S, Other S/S available on request

Filament Material: _____

Level or Crimped Filament: _____

Filament Diameter: _____

OD of Assembly: _____

Face Length: _____

Mandrel? _____

(requires customer drawing)

Retaining Hubs? _____

Application: _____

8000 Whitepine Road
Richmond, VA 23237

phone: 804-743-0982
fax: 804-743-3413

toll free
phone: 800-787-7325
fax: 800-448-2908



industrial@sealeze.com
www.sealeze.com

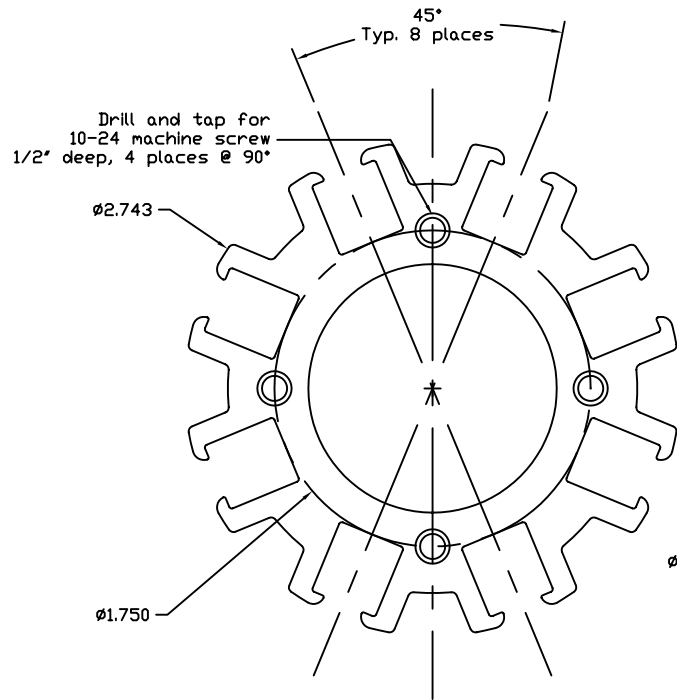
Please feel free to contact us for assistance.
 804-743-0982 | 800-787-7325
 industrial@sealeze.com

EXTRUSION MATERIAL: Aluminum Alloy 6063 T-5

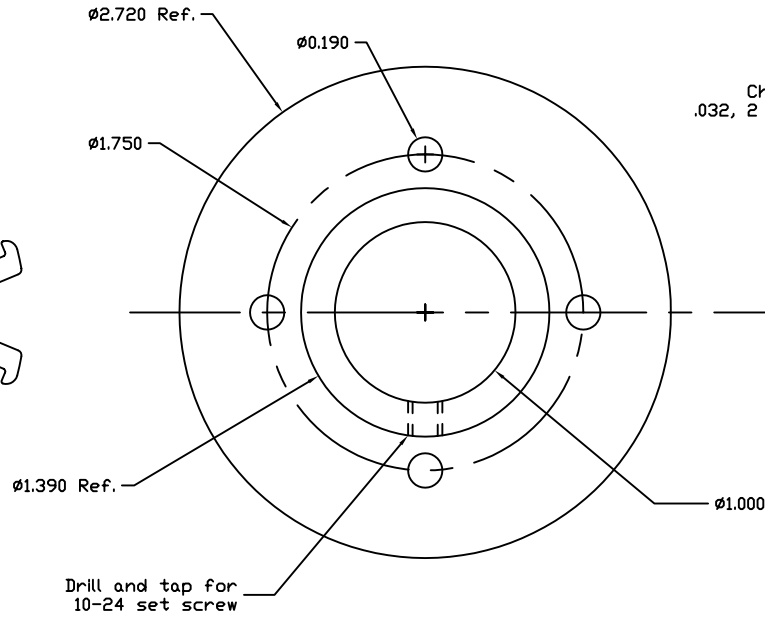
DIMENSIONS								
Section	CHANNEL				EXTRUSION			
	X		Y		OD		ID	
	in.	mm	in.	mm	in.	mm	in.	mm
D	0.240	6.096	0.256	6.502	2.220	56.388	1.125	28.575
G	0.350	8.890	0.370	9.398	2.743	69.672	1.375	34.925

Minimum Brush Assembly OD = 3.18 inches (80.77 mm)

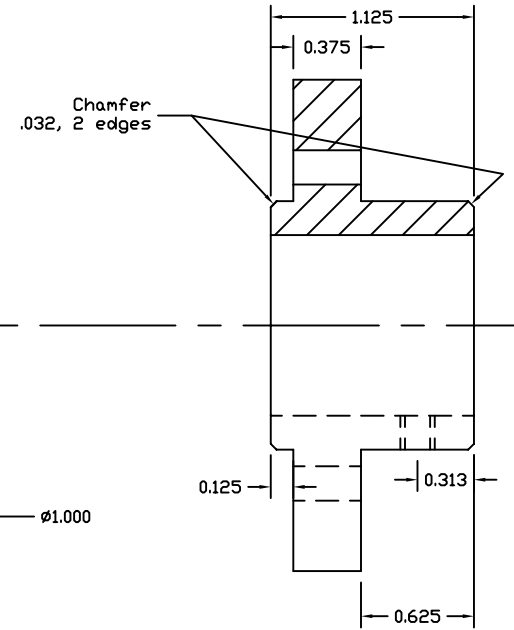
REVISIONS				
ZONE	REV	DESCRIPTION	DATE	APPROVED
	A	Changed reference to 10-24 screws and diameters	3/22/01	MZ
	B	Added instruction for set screw	5/11/01	MZ



XTG8X27CLA



HUB



NOTES:
Hub for use with XTG8X27CLA holder.
Hub Material: Aluminum 6061

ALL DIMENSIONS ARE IN INCHES
UNLESS OTHERWISE SPECIFIED.

DRAWN BY MZ
CHECKED BY MP

SEALEZE

A Unit of Jason Incorporated

Rotary Holder Mounting Hub

SIZE A	FSCM NO.	DWG NO. S010029EM	REV B
SCALE None	DATE 2/28/01		

THIS DOCUMENT CONTAINS INFORMATION WHICH IS CONFIDENTIAL AND PROPRIETARY TO SEALEZE. NO DISCLOSURE, REPRODUCTION OR ANY USE OF ANY PART OF THIS DOCUMENT MAY BE MADE WITHOUT THE WRITTEN PERMISSION OF SEALEZE.

FNAME

REVDATE

USER